



CRANE LIGHT

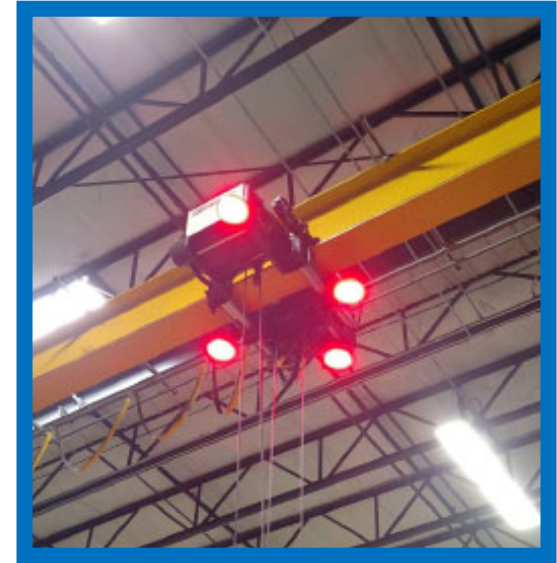


**Line Lens Attached For Line Configuration*



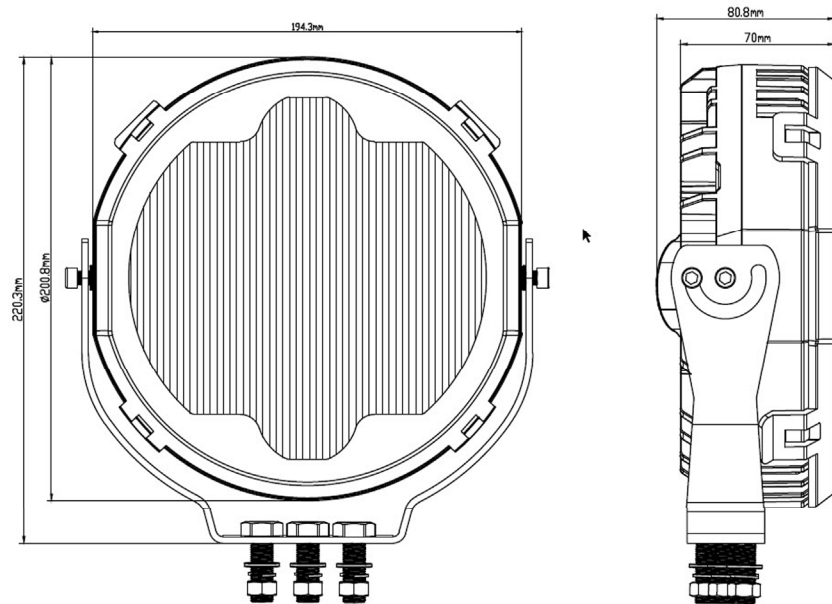
**No Lens For Beam Configuration*

QUESTIONS PLEASE CALL FIRST QUALITY FORKLIFT TRAINING AT (800) 647-3738



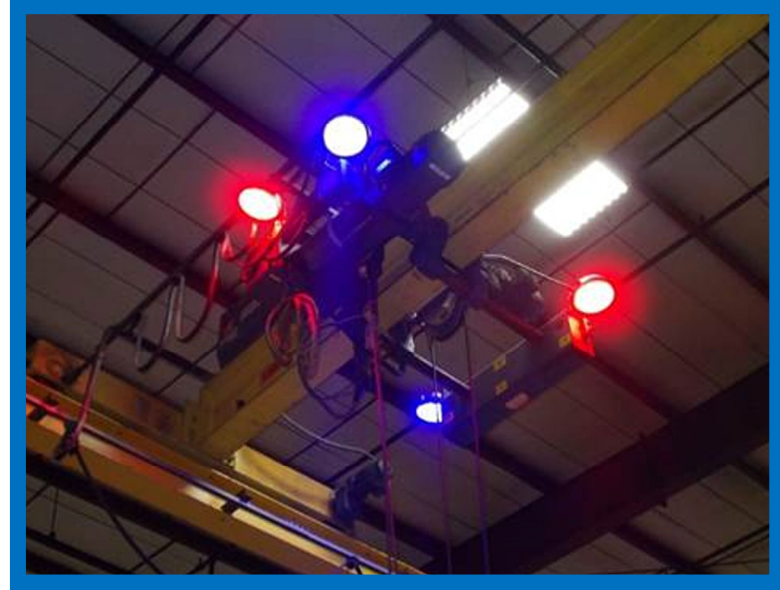
Specs:

- Voltage: 9-32 VDC, can run on up to 277 VAC with optional power converter
- Lumens: 10,000 lumens (each light creates one spot or one line)
- Power: 140 Watts
- LED's: 14 x 100 Watt (Cree LED)
- LED Color: Blue or Red
- Beam Type: Spot or Line Beam
- Life Span: Up to 50,000 hrs.
- Size: 7.7" x 3.1" x 8.7" (195 x 78 x 221 mm)
- Water Proof: IP67
- Working Temp: -45 to 85°C
- Warranty: 2 Years





CRANE LIGHT



FQCRANELITEB-A	Single Blue Light	\$410.00
FQCRANELITER-A	Single Red Light	\$410.00
FQSCLPC-A	1 Single Crane Light Power Converter 100-277 VAC	\$180.00
FQQCLPC-A	1 Quad Crane Light Power Converter 100-277 VAC	\$450.00

Customizable - Red & Blue Bundle Mix Available Call (800) 647-3737

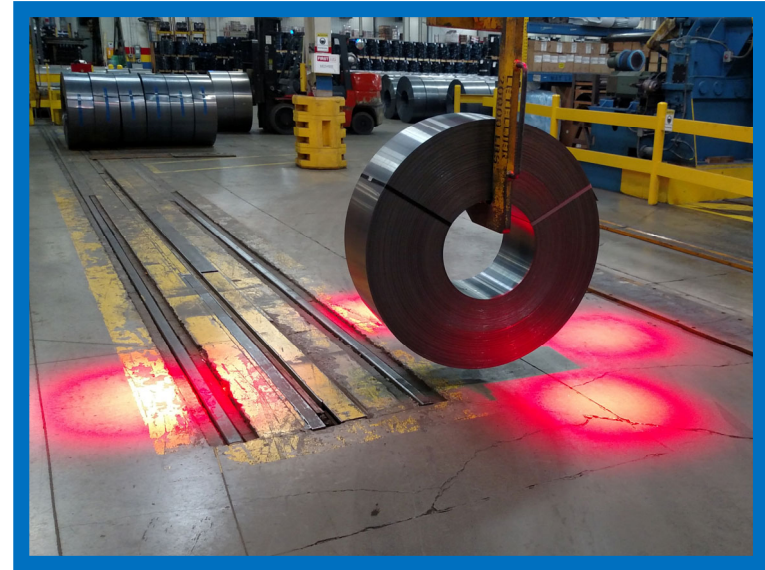
QUESTIONS PLEASE CALL FIRST QUALITY FORKLIFT TRAINING AT (800) 647-3738



Available in Red, Blue or a Mix Red/Blue Call for Pricing



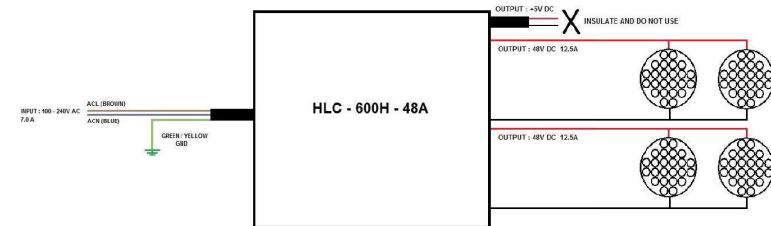
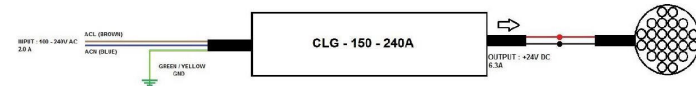
4 - Crane Lights with Lens - Quad Lines



4 - Crane Lights (Spot) without Lens



Quad Crane Light Power Converter



Wiring Diagram Single and Quad Crane Light Power Converter